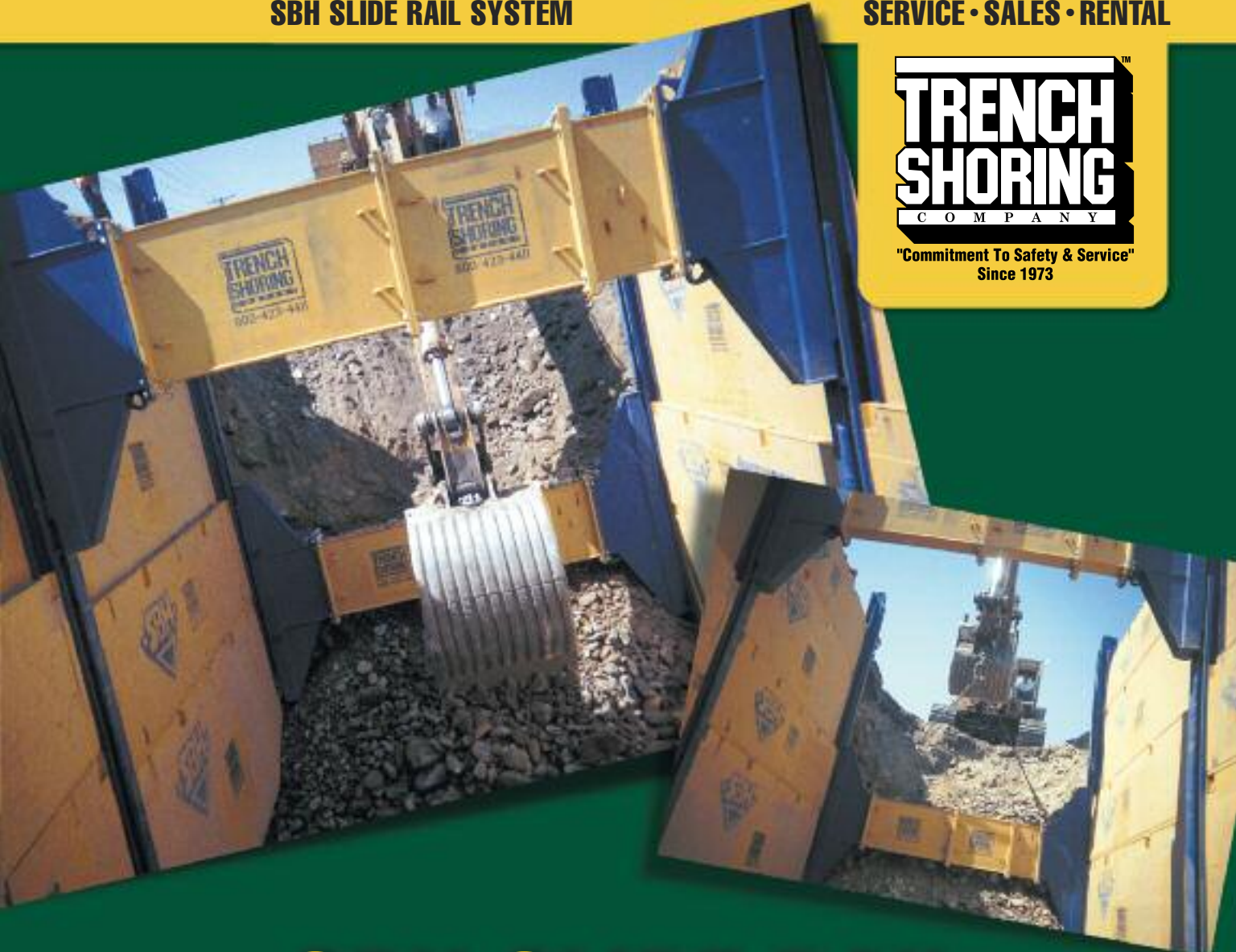




"Commitment To Safety & Service"
Since 1973



SBH SLIDE RAIL ROLLING STRUT SYSTEM



- **WIDEST WIDTHS**
- **STRONGEST RAILS**
- **LONGER PANELS**
- **MAXIMUM CLEARANCES**

Trench Shoring Company is the
authorized distributor for:



Slide Rail System

**Widest Widths. Strongest Rails. Longer Panels.
Maximum Clearances.**

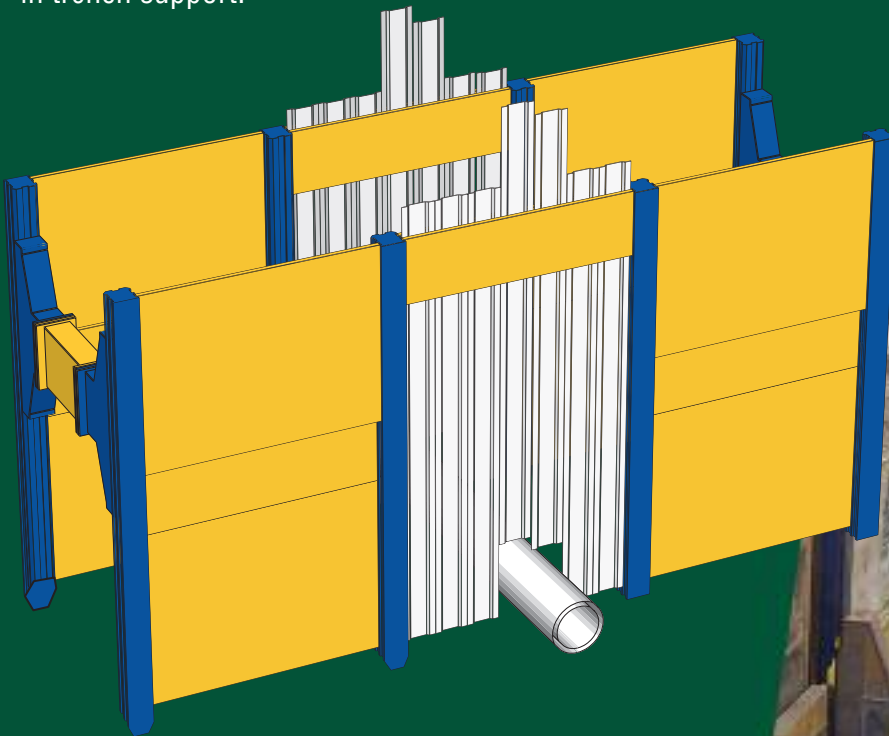
The Slide Rail system is a vertical sheeting and trench support system. It is used to replace the conventional application of wood or steel sheeting. In using the system, the excavation may be shored from ground level to subgrade without soil movement.

It is a highly effective system in areas having unfavorable ground conditions or where an existing underground infrastructure would pose difficulties in trench support.

By using the modular Slide Rail system either with side panel lining plates or in-line sheeting templates, the system will accommodate a variety of job site requirements.

There is an added benefit to the contractor, in that a significant savings in labor and materials will be realized.

Trench Shoring Company is the authorized distributor for:



Slide Rail Advantages

- Provides safety while excavating
- Tight sheeting without soil movement
- Vibration free, no damage to adjacent structures
- Saves money: less material cost than conventional sheeting, finish in a third of the time using half of the labor
- Engineered to meet O.S.H.A.

Slide Rail System

Flexibility of design allows unlimited adaptations to accommodate a variety of sheeted excavation requirements. Virtually any configuration is possible using combinations of single, double or triple slide rails, corner rails, side panels and in-line sheeting templates.

Use Slide Rail Tight Sheeting for:

- Pre-cast and Cast in Place Structures
- Concrete Walls and Footings
- Retaining Walls and Footings
- Seepage Basins
- Culverts
- Pump Stations
- Deep Manholes
- Tank Installation or Removal
- Boring and Jacking Operations
- Pipeline Installation
- Foundation Waterproofing
And More



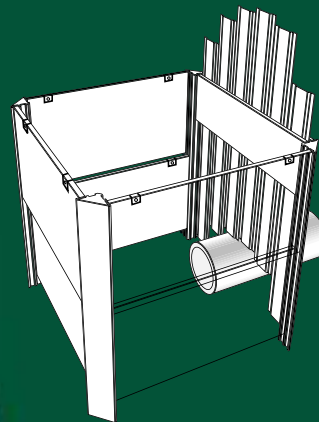
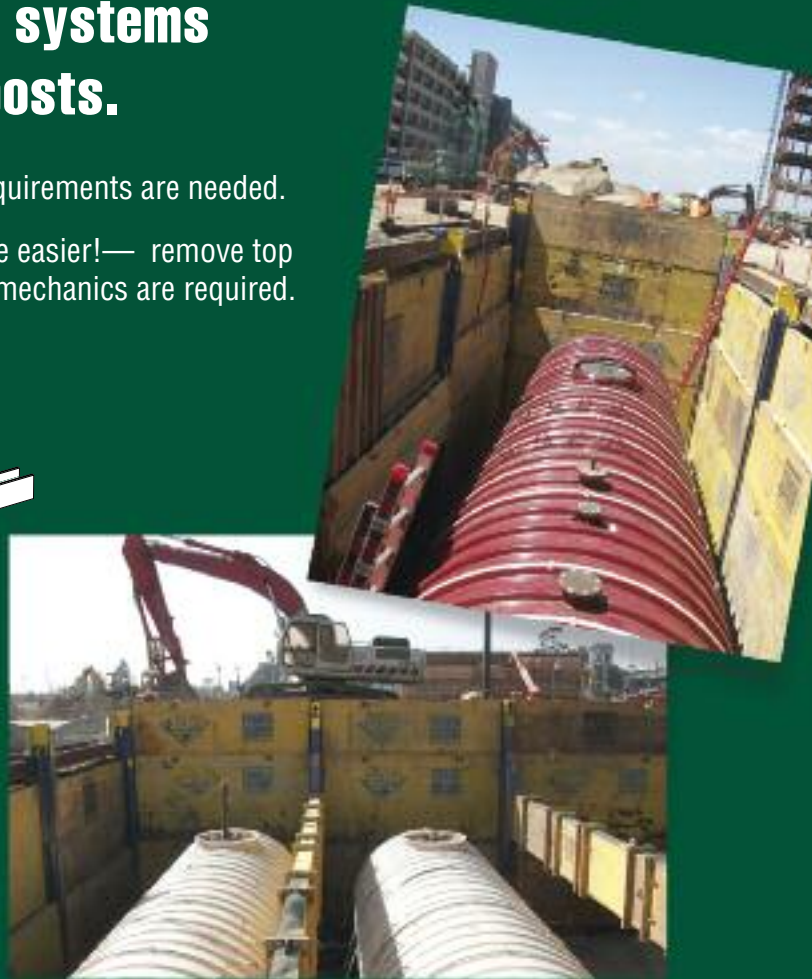
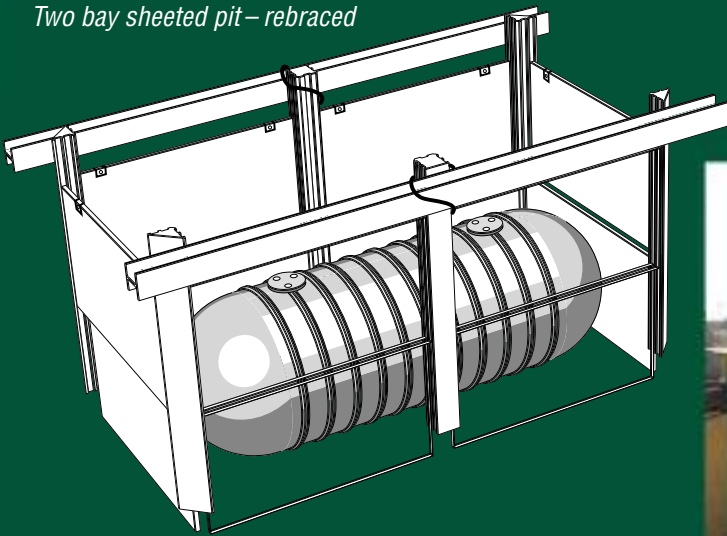
Slide Rail System

Telescoping step down systems using 90° corner posts.

Walers are used for side support when clear span requirements are needed.

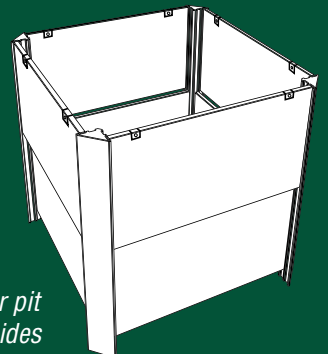
When rolling strut removal is required—it couldn't be easier!— remove top limit pins and pull out... no nuts, bolts, wrenches or mechanics are required.

Two bay sheeted pit – rebraced



Small rectangular pit with sheeting on one (or both) ends

Small rectangular pit closed all four sides



The Rolling Strut ADVANTAGES!

Save time with ease of installation.

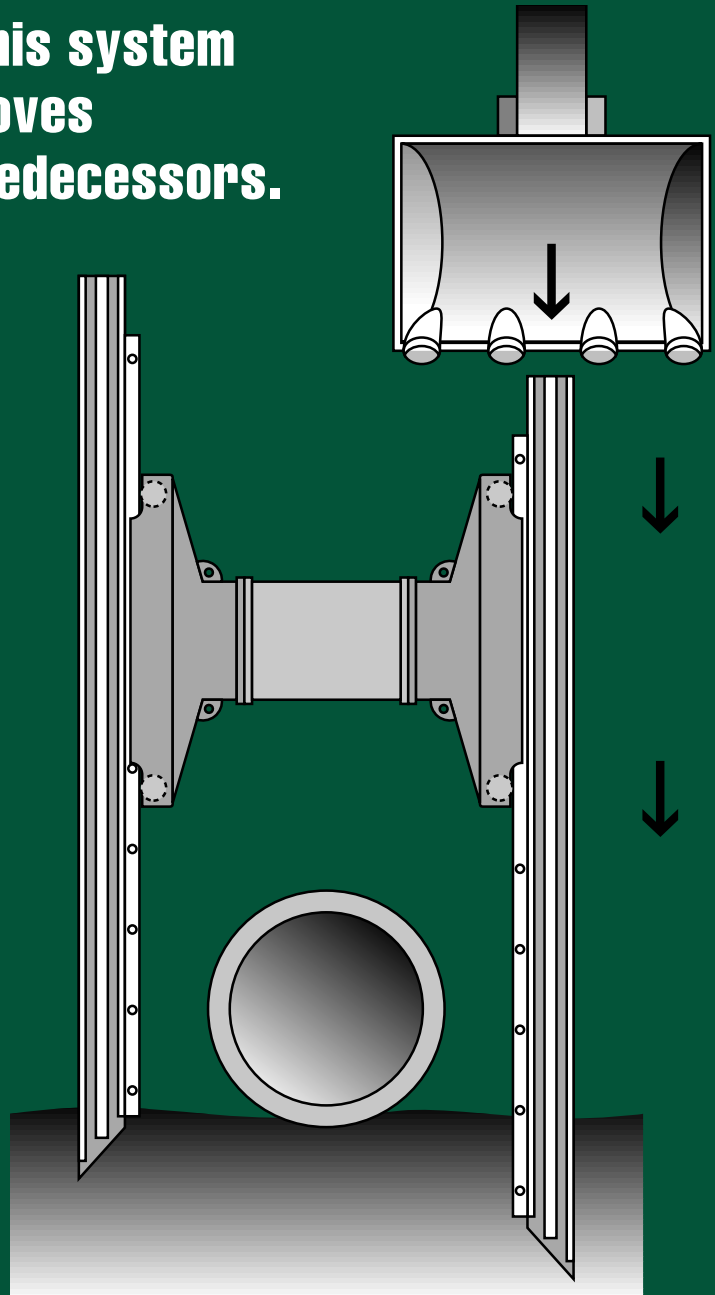
**Save money because this system
installs and removes
faster than any of it's predecessors.**

- Strongest Rails and Struts in the industry
- Maximum Clearances
- Maximum Cantilevers
- Straight Drive — also means
 No Rocking
 No Soil Movement
- Competitively Priced
- Available for Sale or Rentals
- P.E. certified to OSHA regulations
 Site specific engineering available
- Field service/supervision with on site
 assembly and take down

SBH Hydralifter...

Less Vibration, Less Noise

The Hydralifter is a hydraulic panel, post, and steel plate extractor. It is used to break free the inner base and top plates that are used in Slide Rail shoring. The Hydralifter is mounted to an excavator's hydraulic lines and is placed on top of outer panel rigging. The Hydralifter safely and gently removes plates without the use of heavy excavators leading to: safety on the site; less equipment damage; less vibration and noise; saving of time and costs.

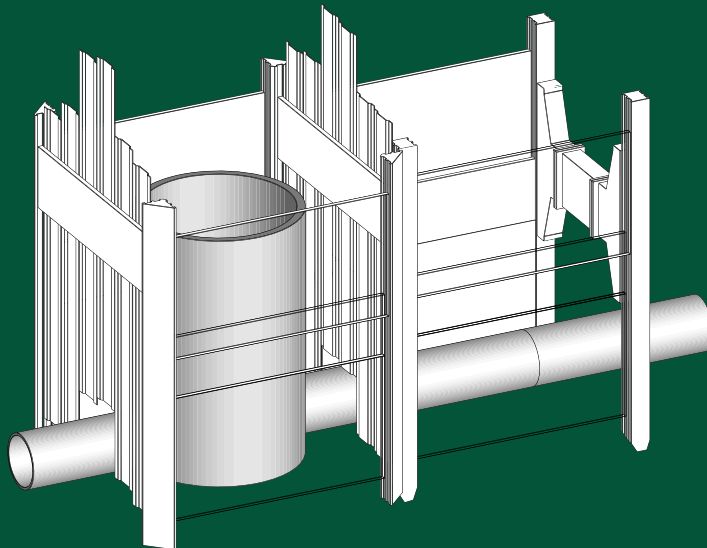


**This design provides more pipe clearance
than any other system.**

Trench Shoring Company is the
authorized distributor for:



Tight Sheeting System with ROLLING STRUTS



**Trench Shoring Company has the equipment and know-how
to meet all your underground needs.**

- Aluminum Hydraulic Shores and Mechanical Screw Jacks
- Flex-Shield™ Trench Boxes and Manhole Boxes
- “Z” Shore (heavy duty steel hydraulic shoring)
- Flo-Line Grade Transfer Instrument
- Steel Crossing Plates and Bridges
- Pipe Testing Equipment, Pipe Cutters and Pullers
- Steel Beams, Timbers and Plywood
- Confined Space Equipment
- TRACKCLEAN®
- Engineering Available
- Statewide Delivery

Los Angeles • Corporate Office

636 East Rosecrans • Los Angeles, CA 90059
(800) 423-4411 • (310) 327-5554

Bakersfield

301 Lawson Rd. • Bakersfield, CA 93307
(855) 509-5900 • (661) 396-9160

Banning

1184 W. Lincoln St. • Banning, CA 92220
(800) 221-2030 • (951) 849-1611

Corona

325 N. Cota St. • Corona, CA 92880
(800) 457-4646 • (951) 734-4290

Fresno

88 N. Hughes Ave. • Fresno, CA 93706
(866) 887-3909 • (559) 691-4123

Fullerton

1400 E. Orangethorpe Ave. • Fullerton, CA 92831
(800) 439-0987 • (714) 879-1005

Lake Forest

20542 Pascal Way • Lake Forest, CA 92630
(800) 714-7244 • (949) 454-0858

Moorpark

13826 Princeton Ave. • Moorpark, CA 93021
(800) 805-2258 • (805) 529-4614

San Diego

9450 Dowdy Dr. • San Diego, CA 92126
(800) 608-4422 • (858) 404-0095

Las Vegas

4035 Flossmoor St. • Las Vegas, NV 89115
(866) 319-2053 • (702) 651-0920

TrenchShoring.com

**PLATES • BEAMS • SHORING
SERVICE • RENTAL • SALES**

Trench Shoring Company is the
authorized distributor for:



**"Commitment To Safety & Service"
Since 1973**