

Bedding Boxes

Bedding Boxes Reduce Waste & Maximize Productivity

Bedding Boxes eliminate the waste of expensive bedding material while maximizing equipment efficiency at the jobsite. The loader operator remains productive, with no wasted time waiting to load and place bedding material in the trench. The loader is free to perform other jobsite tasks while occasionally restocking the Bedding Box.

Bedding Box Features

- High-tensile steel construction for extra-long service life
- Half-inch steel bottoms and ends minimizes routine bucket-contact wear and tear
- High-strength tubular frame for durability and structural integrity
- Skid bottoms (standard) reduce wear from dragging and walking movement
- Radius-pipe skid bar reduces material accumulation (plowing effect) while pushing forward
- Lifting/pulling lugs (standard) for easy sling attachment and box movement
- Sloped Ends for efficient bucket access and retrieval of bedding material
- Lift/walk bars (standard) for added mobility and ease of handling with the excavator



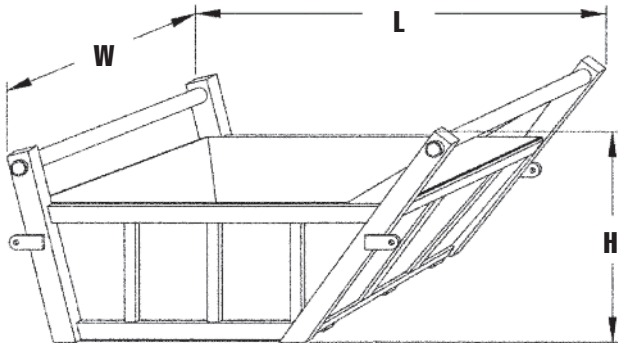
**TRENCH
SHORING**
C O M P A N Y

"Commitment To Safety & Service"
Since 1973

TrenchShoring.com

Bedding Boxes Specifications

Heavy Duty with Lift Bar



Capacity Cu. Yds.	Height	Length	Width	Weight
7.5	50"	11'	80"	5,290 lbs.
9	50"	12'	80"	5,575 lbs.
12	56"	14'	84"	7,710 lbs.

"Commitment To Safety And Service" Since 1973

Take It from the Top

Trench Shoring Company provides the construction industry with the finest in shoring equipment and service starting with consultation before you begin excavation. Whether it's a small utility trench or a 10-mile sewer line, Trench Shoring Company has in stock, or will custom design, the required equipment to help you get the job done—quickly and efficiently. Trench Shoring Company's own Flex-Shield™ trench boxes, unique Z-Shore™ and Slide Rail systems, plus a variety of shoring materials and related supplies, all are available for rental or purchase.

There's Safety in Numbers

Trench Shoring Company has the largest inventory of shoring equipment in the area, all tested for dependability and built to meet or exceed CAL-O.S.H.A. requirements. Combine that with our full-time service department and you're assured the least possible down time on the job.

Are You Draining Away Man-Hours?

Trench Shoring Company offers same-day service to Southern California and the Las Vegas area, saving you time and money on the job. Our radio-dispatched boom trucks deliver your equipment to the job site. Our operators do all the loading and unloading, as well as set-up, so you don't have to tie up workers or machinery.

Competent Person Training

Trench Shoring Company provides competent person training seminars. The seminars cover CAL-O.S.H.A. Title 8, section 1540 through 1541.1 requirements pertaining to excavations, trenching and sloping techniques, productive systems and soils classification with an introduction to confined space safety.

Beams

Plates

Shoring

Service

Rental

Sales



"Commitment To Safety & Service"
Since 1973

TrenchShoring.com

COMPTON
BAKERSFIELD
BANNING
CORONA
FULLERTON
LAKE FOREST
MOORPARK
SAN DIEGO
LAS VEGAS

206 N. Central Ave. • Compton, CA 90220 • (800) 423-4411 • (310) 327-5554
301 Lawson Rd. • Bakersfield, CA 93307 • (855) 509-5900 • (661) 396-9160
1184 W. Lincoln St. • Banning, CA 92220 • (800) 221-2030 • (951) 849-1611
325 N. Cota St. • Corona, CA 92880 • (800) 457-4646 • (951) 734-4290
1400 E. Orangethorpe Ave. • Fullerton, CA 92831 • (800) 439-0987 • (714) 879-1005
20542 Pascal Way • Lake Forest, CA 92630 • (800) 714-7244 • (949) 454-0858
13826 Princeton Ave. • Moorpark, CA 93021 • (800) 805-2258 • (805) 529-4614
9450 Dowdy Dr. • San Diego, CA 92126 • (800) 608-4422 • (858) 530-2500
4035 Flossmoor St. • Las Vegas, NV 89115 • (866) 319-2053 • (702) 651-0920